

ENERGY INDUSTRY

ANODE & CATHODE COATING

BATTERY SEPARATOR

FUEL CELL MEMBRANE

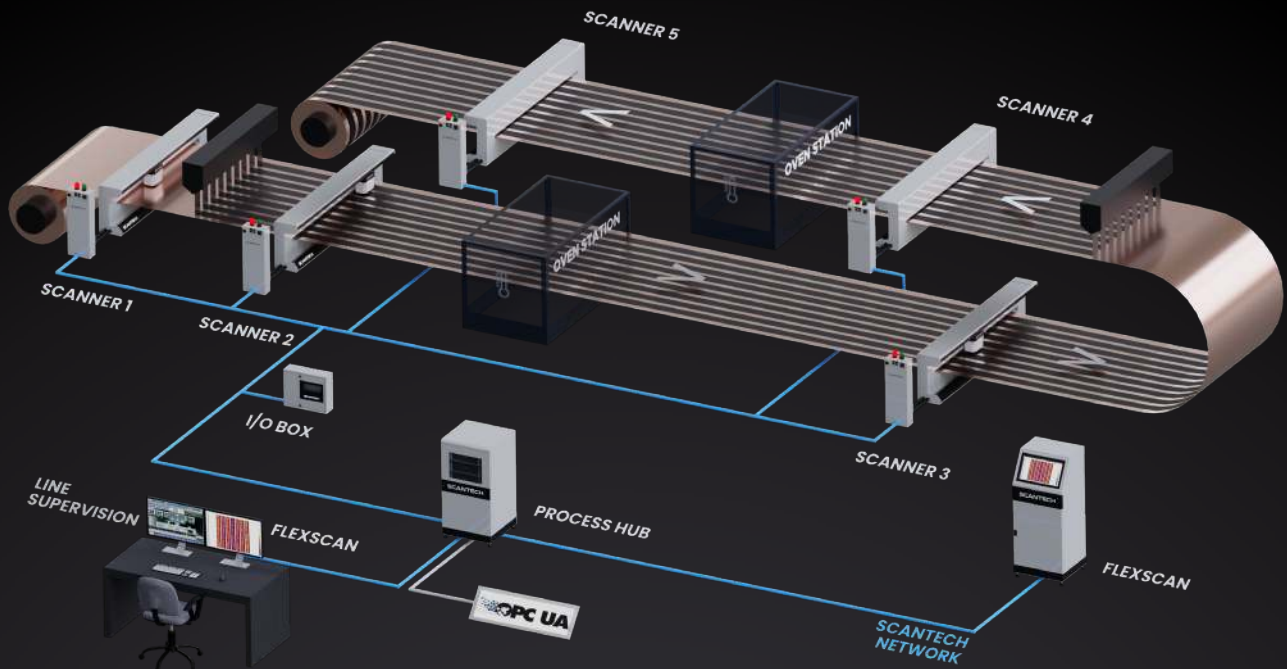
ALUMINIUM FOIL



SCANTECH

ONLINE MEASUREMENT
AND CONTROL

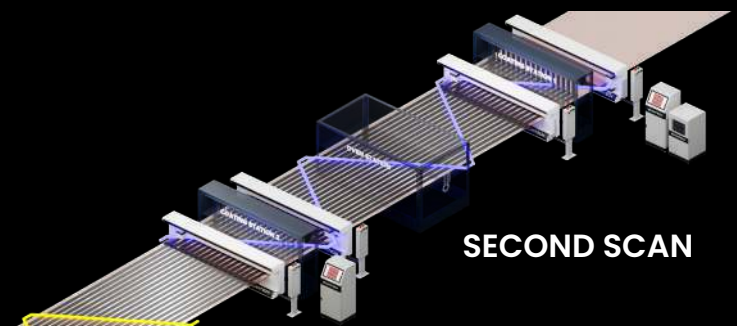
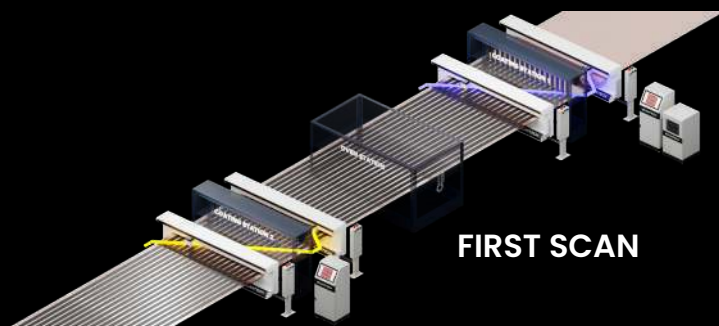
X-RAY MEASUREMENT SOLUTION FOR
ANODE & CATHODE
LITHIUM-ION BATTERY COATING LINES



SYNCHRONIZED SCANNERS

ADVANCED
SAMESPOT

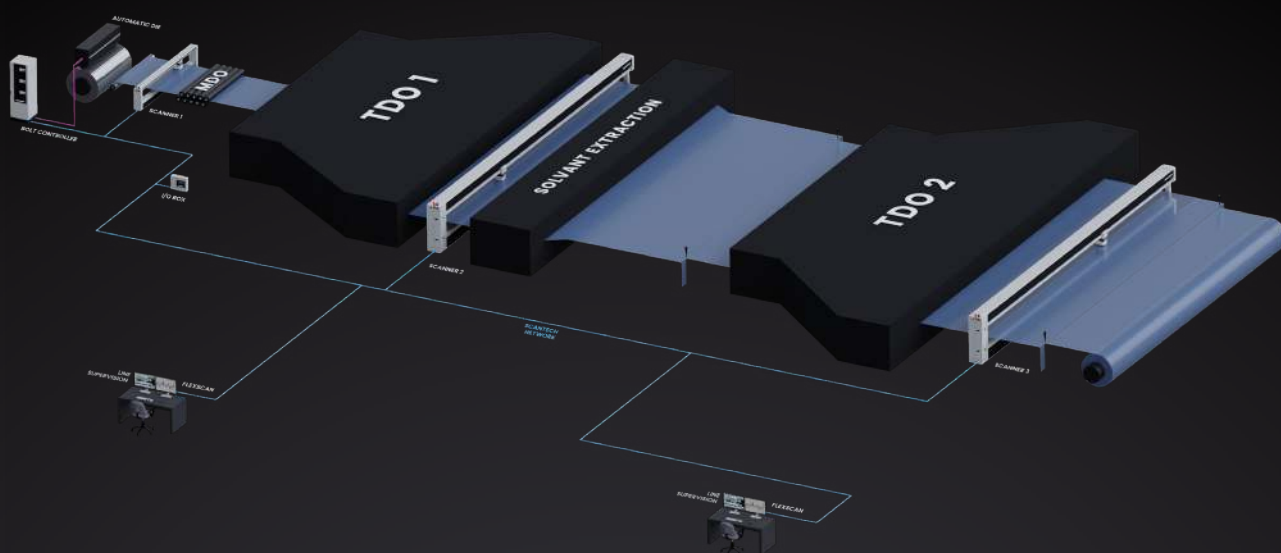
Same Spot tracking all along the production line.



X-RAY MEASUREMENT SOLUTION FOR

BATTERY SEPARATOR FILM

LITHIUM-ION BATTERY CELL



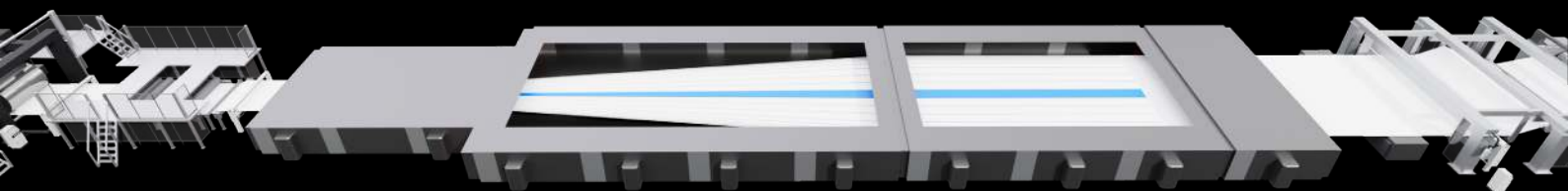
ACCURATE AUTO MAPPING AND REGULATION

Mass conservation



Edge measurement

BOLT REPRESENTATION



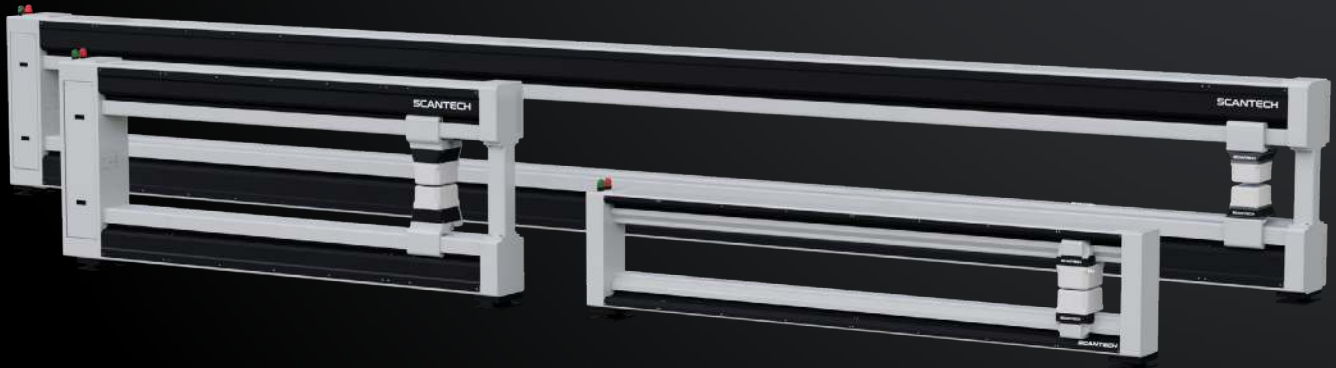
BIAX SCANNERS

Powerhouse performance

FRAMES RANGING FROM
500mm to 12000mm



Visual
Inspection



BATTERY SEPARATOR FILM
MEASUREMENTS



Thickness



Weight



Porosity



Stretch Profile

FX FLEXSCAN

INDUSTRY 4.0

OPC UA

Bolt representation and automatic die control.



For more information please visit www.scantech.com

SCANTECH

A WORLDWIDE GROUP



FRANCE - HEADQUARTERS

Scantech S.A.S
Bâtiment Andromède
108 Avenue du Lac Léman
Savoie Technolac
France
+33(0)4 79 25 05 25

WWW.SCANTECH.COM



AMERICAS - OFFICE



GERMANY - OFFICE



ITALY - OFFICE



MALAYSIA - OFFICE



CHINA - OFFICE



INDIA - OFFICE



KOREA - OFFICE



TAIWAN - OFFICE



THAILAND - OFFICE